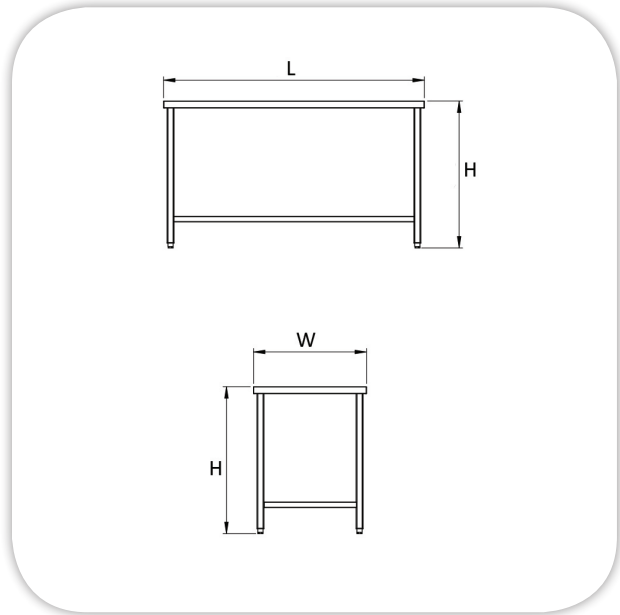


GRANITE TOP CENTRAL WORK TABLE (W/UNDER SHELF)

Item:



SPECIFICATIONS:

Body: Stainless Steel Construction
Top: Granite Top 40 mm thickness
Shelves: Stainless Steel, 1.0 mm thickness, one bottom shelf.

Legs: Stainless Steel, (4) Legs (diameter 38mm), or (Dimensions 40 x 40mm with added (S) on the model), with adjustable leveling feet.
Assembly: Knockdown upon request

TECHNICAL DATA:

MODEL	Dimensions (mm)		
	L	W	H
MFP01-04/10	1000	750	850
MFP01-04/11	1100	750	850
MFP01-04/12	1200	750	850
MFP01-04/13	1300	750	850
MFP01-04/14	1400	750	850
MFP01-04/15	1500	750	850
MFP01-04/16	1600	750	850
MFP01-04/17	1750	750	850
MFP01-04/18	1800	750	850
MFP01-04/19	1900	750	850

MODEL	Dimensions (mm)		
	L	W	H
MFP01-04/20	2000	750	850
MFP01-04/21	2100	750	850
MFP01-04/22	2200	750	850
MFP01-04/23	2300	750	850
MFP01-04/24	2400	750	850
MFP01-04/25	2500	750	850
MFP01-04/26	2600	750	850
MFP01-04/27	2750	750	850
MFP01-04/28	2800	750	850
MFP01-04/29	2900	750	850
MFP01-04/30	3000	750	850

N.B. up model with length 2200 and more, have 6 legs

Masria, In Line with its policy to continually improve its quality, reserves the right to change specs without notice.

+202 44812326/8

masria@masria.com

masriagroup

+201 001609002/10

www.masria.com

masriagr

