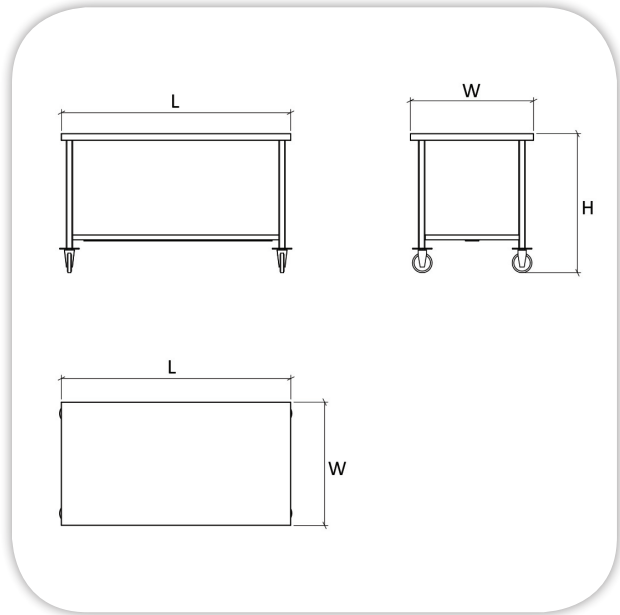


MOBILE WORK TABLE (W/UNDER SHELF)

Item:



SPECIFICATIONS:

Body: Stainless Steel Construction
Top: Stainless Steel (304) reinforcement and sound deadening material at bottom, top Thickness 2.0 mm
Shelves: Stainless Steel, 1.0 mm thickness, one bottom shelf.

Legs: Stainless Steel, (4) Legs (diameter 38mm), or (Dimensions 40 x 40mm with added (S) on the model), with adjustable leveling feet.
Wheels: (4) rubber casters diameter 5", (2) casters equipped with brakes
Assembly: Knockdown upon request

TECHNICAL DATA:

MODEL	Dimensions (mm)		
	L	W	H
MFPP01-09/10	1000	750	850
MFPP01-09/11	1100	750	850
MFPP01-09/12	1200	750	850
MFPP01-09/13	1300	750	850
MFPP01-09/14	1400	750	850
MFPP01-09/15	1500	750	850
MFPP01-09/16	1600	750	850
MFPP01-09/17	1750	750	850
MFPP01-09/18	1800	750	850
MFPP01-09/19	1900	750	850

MODEL	Dimensions (mm)		
	L	W	H
MFPP01-09/20	2000	750	850
MFPP01-09/21	2100	750	850
MFPP01-09/22	2200	750	850
MFPP01-09/23	2300	750	850
MFPP01-09/24	2400	750	850
MFPP01-09/25	2500	750	850
MFPP01-09/26	2600	750	850
MFPP01-09/27	2750	750	850
MFPP01-09/28	2800	750	850
MFPP01-09/29	2900	750	850
MFPP01-09/30	3000	750	850

N.B. up model with length 2200 and more, have 6 legs

Masria, In Line with its policy to continually improve its quality, reserves the right to change specs without notice.

+202 44812326/8

masria@masria.com

masriagroup

+201 001609002/10

www.masria.com

masriagr

