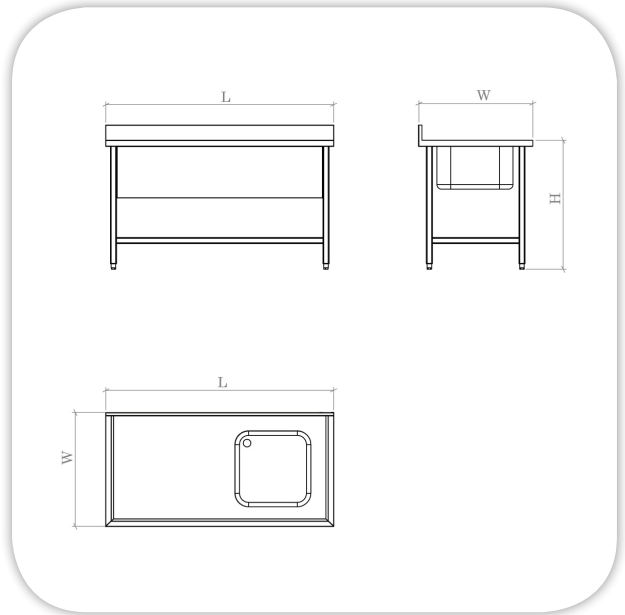
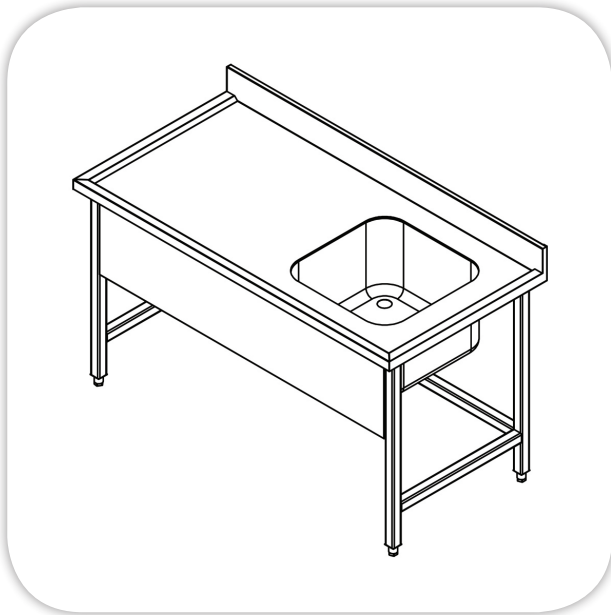


# SINGLE SINK UNIT

Item: .....



## SPECIFICATIONS:

**Body:** Stainless Steel Construction

**Drain board:** Stainless Steel (304), 1.5mm thickness, reinforcement and sound deadening material at bottom, incline in the direction of bowl

**Bowls:** Stainless Steel, Deep Drawn bowl

**Back Splash:** Stainless Steel (304) Height 100mm

**Legs:** Stainless Steel, (4) Legs (diameter 38 mm), or (Dimensions 40 x 40mm with added (S) on the model), with adjustable leveling feet.

**Assembly:** Knockdown upon request

**Faucet & Drain set:** available upon request

## TECHNICAL DATA:

MODEL	Bowl Dimensions (mm)			Sink Unit Dimensions (mm)		
	A	B	D	L	W	H
MFP02-01/187	500	500	300	1870	750	850
MFP02-01/160	500	500	300	1600	750	850
MFP02-01/150	500	500	300	1500	750	850
MFP02-01/110	500	500	300	1100	750	850
MFP02-01/75	500	500	300	750	750	850
MFP02-02/187	600	500	300	1870	750	850
MFP02-02/150	600	500	300	1500	750	850
MFP02-02/110	600	500	300	1100	750	850
MFP02-03/187	800	600	300	1870	750	850
MFP02-03/150	800	600	300	1500	750	850
MFP02-03/110	800	600	300	1100	750	850

Masria, In Line with its policy to continually improve its quality, reserves the right to change specs without notice.

+202 44812326/8

masria@masria.com

masriagroup

+201 001609002/10

www.masria.com

masriagr

