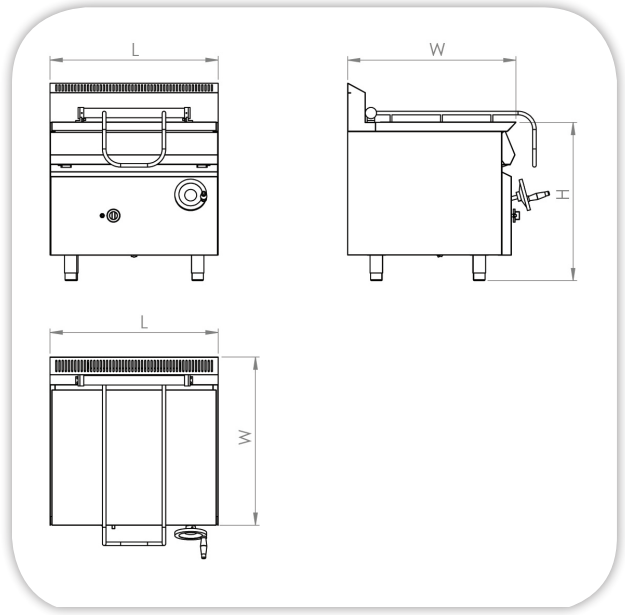
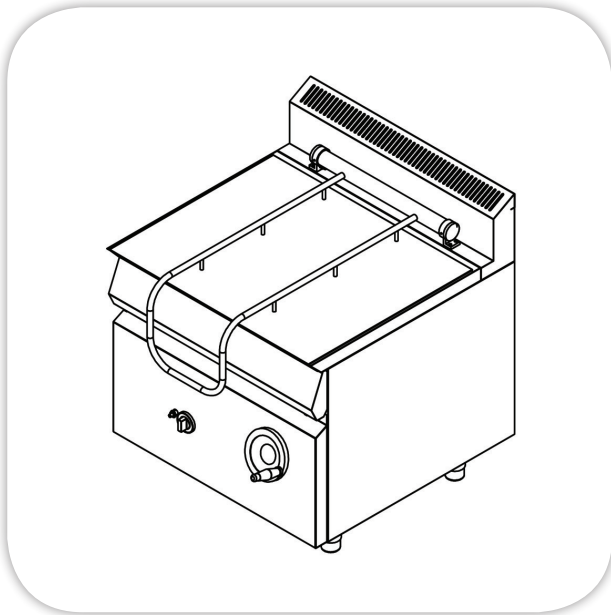


GAS TILTING BRATT PANS

Item:



SPECIFICATIONS: (Heavy Duty)

Body: Stainless steel (304) construction.

Pan: Stainless steel (304) construction, base (8) mm thickness, pan tilting by hand wheel, lid open up 90°, thermal insulation all over the body.

Control: thermostatically controlled, with safety pilot, ignition spark, automatic safety shut-off gas valve.

Accessories: heavy duty, high quality

Legs: (4) legs, stainless steel, 60 mm diameter, with Adjustable leveling feet.

TECHNICAL DATA:

MODEL	FRYING Capacity (lt)	Dimensions (mm)			Gas Power (kW gas)	Net Weight (Kg)
		L	W	H		
MGTP01-11-80 GAS Tilting bratt Pan-80 liter	80	900	900	900	24.0	
MGTP01-11-120 GAS Tilting bratt Pan-120 liter	120	1200	900	900	36.0	

Masria, In Line with its policy to continually improve its quality, reserves the right to change specs without notice.

+202 44812326/8

masria@masria.com

masriagroup

+201 001609002/10

www.masria.com

masriagr

