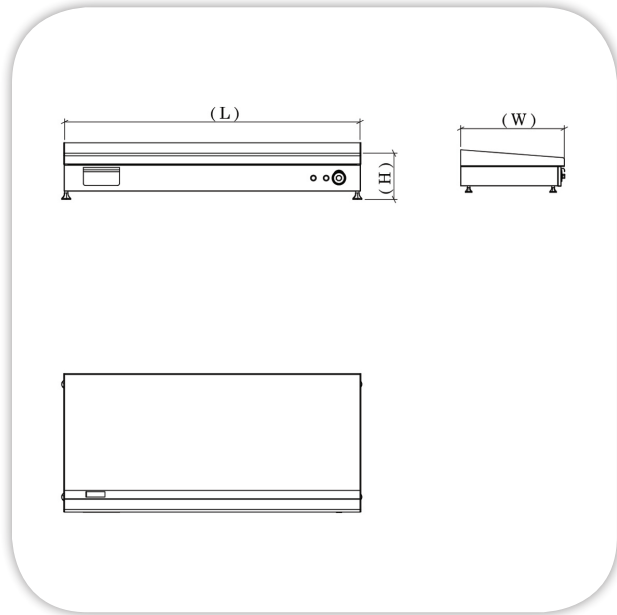
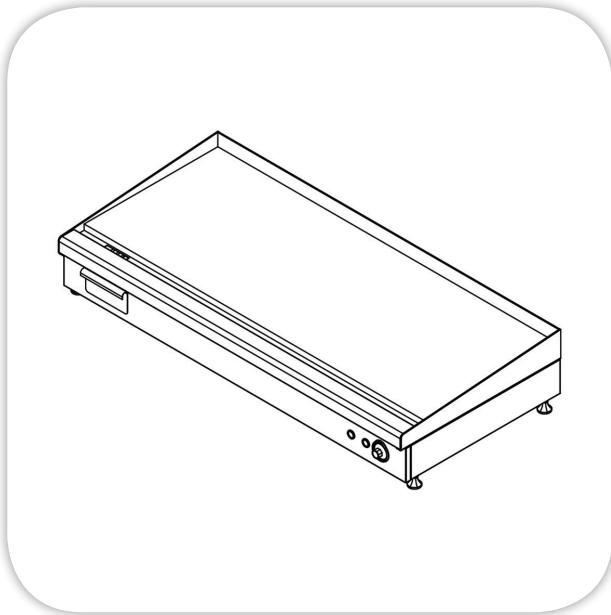


TAPPAN-YAKI GRILL - COUNTER MODEL

Item:



SPECIFICATIONS: (Counter Type)

Body: Stainless steel (304) construction, with Adjustable leveling feets.

Fry-Top: steel top (20 mm) thickness.

Electric Heaters: Electric Model, 380V/3Ph/50Hz, Heavy duty, high quality, heating from core & distribute, thermostatically Controlled.

Burner: Gas Model, LPG or Natural GAS, Heavy duty, high quality, heating from core & distribute, equipped with automatic safety shut-off gas valve, spark plug.

TECHNICAL DATA:

MODEL	Dimensions (mm)			Electric Power (kW)	Gas Power (kW gas)	Net Weight (Kg)
	L	W	H			
MGC 03-05-140-T Electric tappen-yaki Grill	1200	700	300	7.5		
MGC 03-05-T GAS Tappan-yaki Grill	800	700	350		15.0	
MGC 03-05-140-T GAS Tappan-yaki Grill	1200	700	350		23.0	

Masria, In Line with its policy to continually improve its quality, reserves the right to change specs without notice.

+202 44812326/8

masria@masria.com

masriagroup

+201 001609002/10

www.masria.com

masriagr

