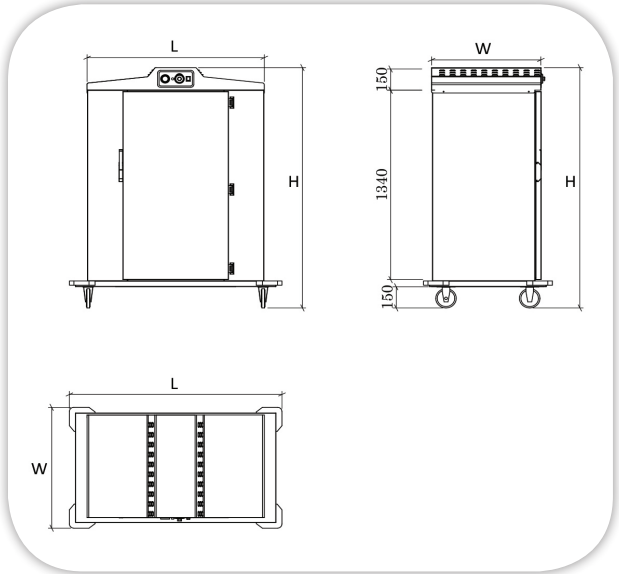
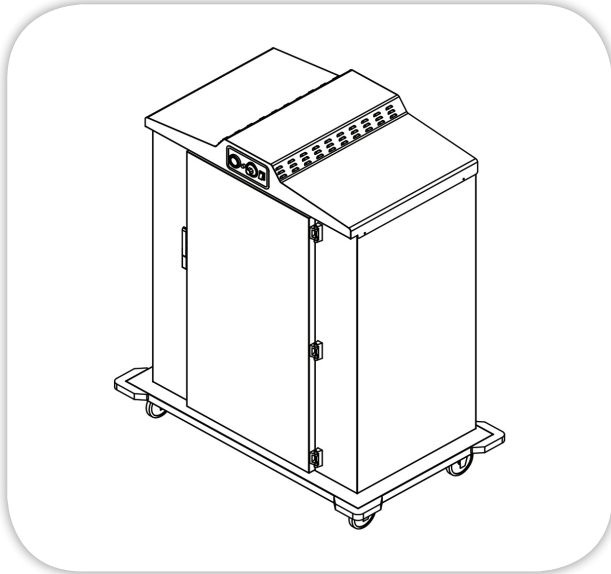


HOT BANQUET TROLLEY ONE DOOR (SEMIRAMIS STYLE)

Item:



SPECIFICATIONS:

Body: Stainless steel (304) interior and exterior construction, foam polyurethane insulation, (40 kg/m³) density, (40mm) thickness, one door equipped with heavy duty thermal door gasket, Equipped with protective rubber bumpers around the body, with (2 No's) stainless guides for steel grid shelves dimension (900 × 600 mm), with two push hands
Shelves: Equipped with (2) stainless steel grid shelves dimension (900 × 600 mm).

Electric source: 220V/1Ph/50HZ.

Control: Thermostatically Controlled (30:80°C) with forced hot air distribute throw duct along the holding chamber, with ON/OFF switch, indicator thermometer & indication lamp.

Mobile: on (4) rubber casters (5^{inch}) heavy duty, two of them with brakes.

Available up-on request: caring basket from steel construction, capacity (10) plates diameter of (260mm), each trolley requested (12) baskets

TECHNICAL DATA:

MODEL	Dimensions (mm)			Capacity	Eclectic Power (KW)	Net Weight (KG)
	L	W	H			
MFS-01-H1 Banquet trolley one door semiramis style	1170	680	1720	12 Baskets & 120 plates	2.0	

Masria, In Line with its policy to continually improve its quality, reserves the right to change specs without notice.

+202 44812326/8

masria@masria.com

masriagroup

+201 001609002/10

www.masria.com

masriagr

